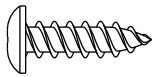


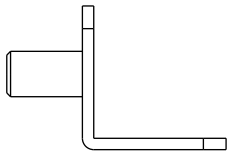
Assembly Instructions Waverly Combo Hutch

- A.** The hutch can be configured as either a hutch above the dressing combo, or a standalone bookcase. To use as a hutch, lower it onto its back, and remove the 6 allen bolts attaching the base to the hutch.
- B.** If you are using a changing pad, secure it to the combo using the straps as instructed by the pad manufacturer. Center the hutch on top of the combo, then screw the wood screws (A) through the holes on the mounting plates and into the combo.
- C.** Insert the shelf tabs into the desired holes, then carefully lower the shelves onto the tabs. If desired, you can screw 1/2" wood screws (not included) through the holes in the bottom of the shelf tabs into the bottom of the shelf to prevent the shelf from being accidentally removed. If you are using the hutch with a changing pad, remove the lower shelf and save it for later use.

A 4 x Wood Screw



B 8 x Shelf Tab



C Allen Wrench

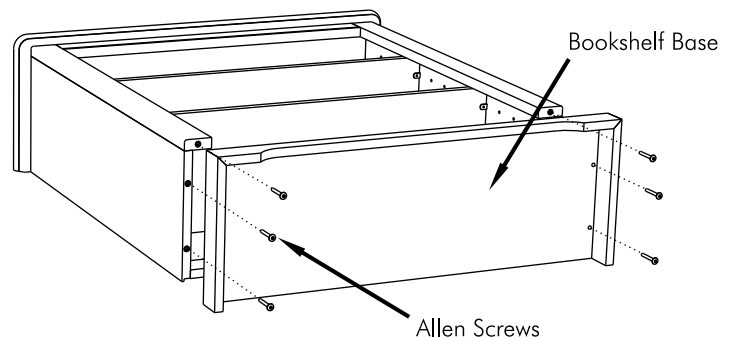


Figure A

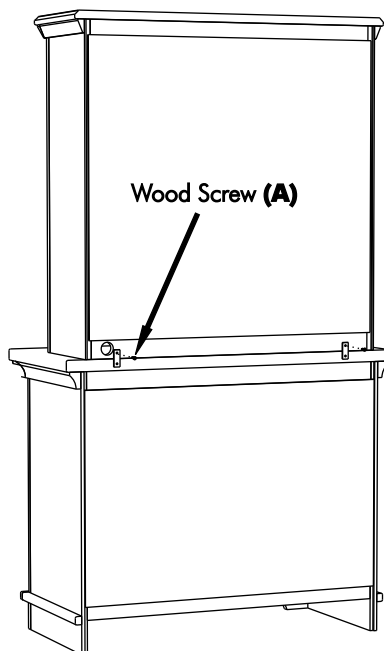


Figure B

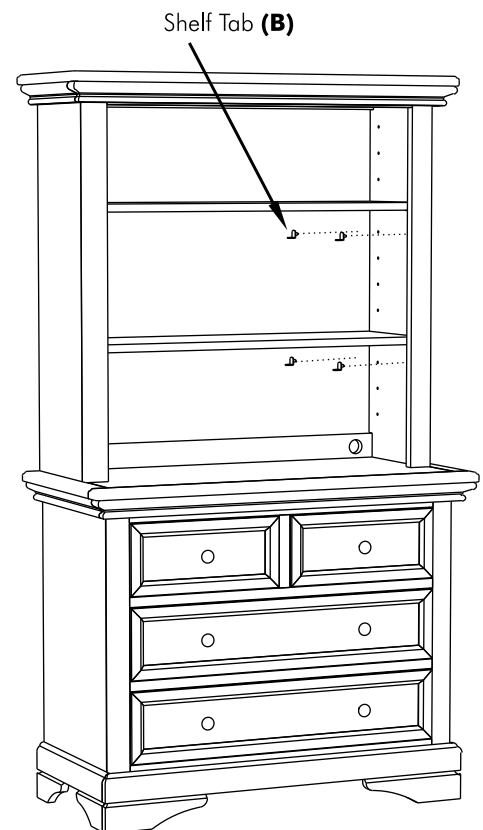


Figure C

WESTWOOD DESIGN

635 N. Billy Mitchell Rd., Ste. B
Salt Lake City, UT 84116 USA
Phone: 1-973-305-0444
support@westwoodbaby.com

February 5, 2010