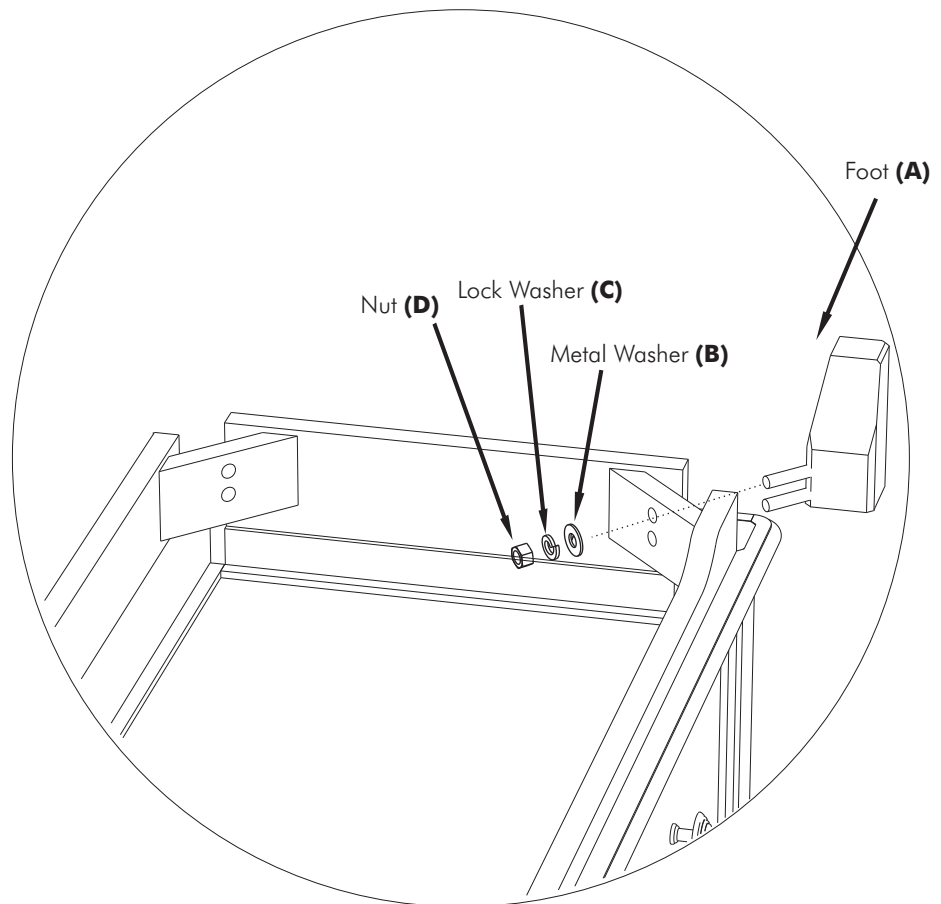
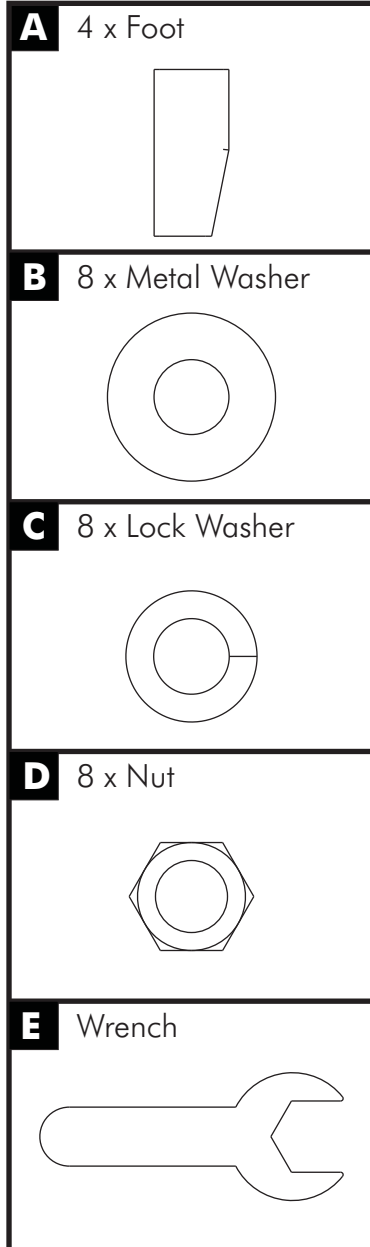


# Assembly Instructions

## Tribeca Chest

- A.** Unpack all the components from the packaging. The feet are located in the drawer.
- B.** Flip the chest over onto its back and insert the threaded end of the foot into the angled bracket as shown. Add a washer (B), a lock washer (C), then the nut (D), and tighten securely with the wrench. Repeat for the other bolt, then repeat for the other 3 feet.



*B* Bedford Baby

635 N. Billy Mitchell Rd., Ste. B  
Salt Lake City, UT 84116 USA  
Phone: 1-973-305-0444  
support@westwoodbaby.com

April 14, 2008