

Assembly Instructions

Lily Bed Rails

- A.** From the hardware and instructions originally included with the crib, locate two 1-1/8" Allen Bolts (P), two Cap Nuts (Q), and two Nylon Washers (M). Thread them through the holes in the headboard as shown, and tighten securely using the allen wrench included with the crib hardware.
- B.** Insert the metal tab on the bed rail into the slot on the headboard post, with the hooks facing down and the slat supports toward the inside. Drop the hooks on to the internal pins, making sure the rail is securely seated. Repeat for the other rail.
- C.** Insert the bed rail hooks into the footboard slots. Make sure both rails are secure and stable.
- D.** If you want to use the slats, evenly space them along the rails, and if desired, secure them to the rails using the wood screws. The slats are not needed if you are using a box spring.

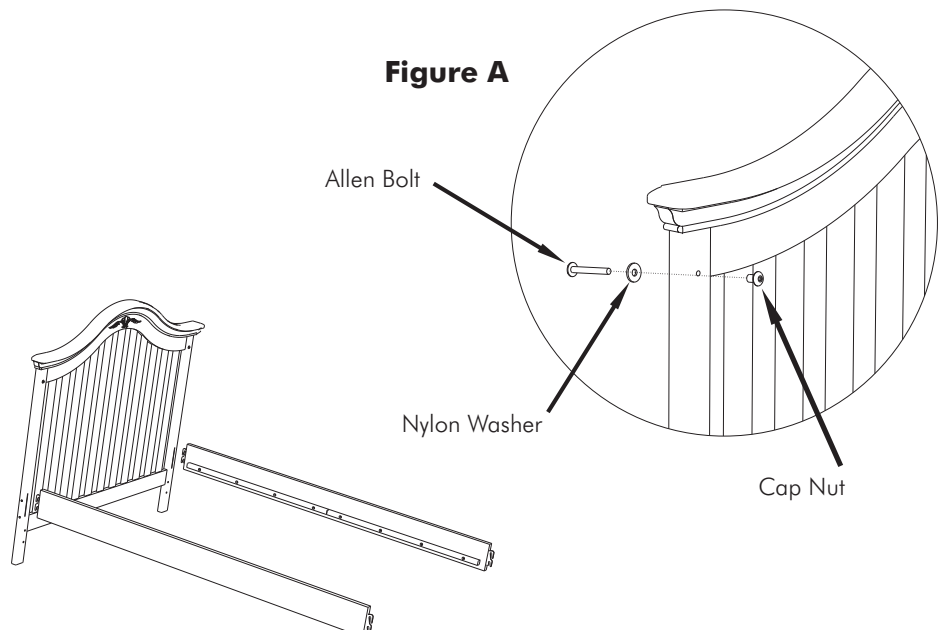
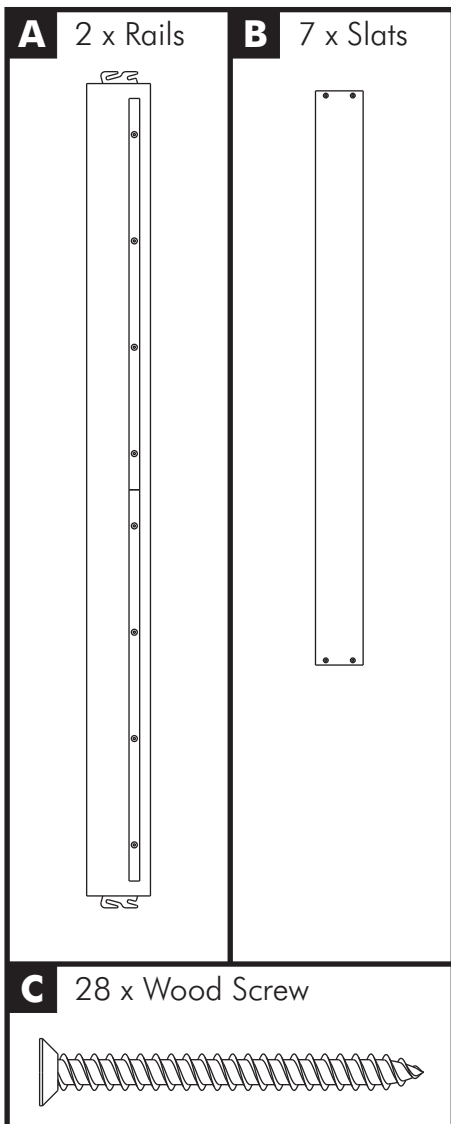
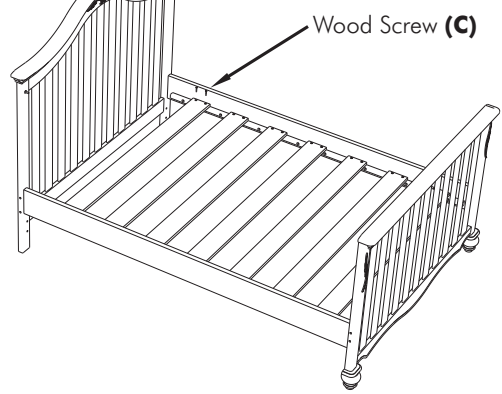
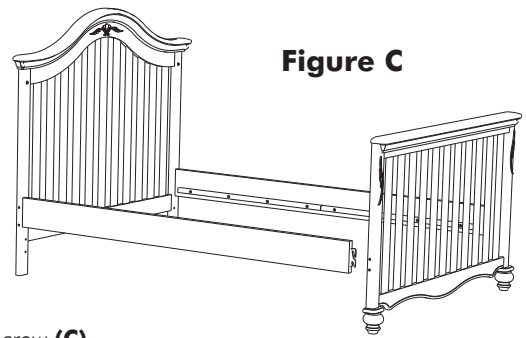


Figure B



B Bedford Baby
 635 N. Billy Mitchell Rd., Ste. B
 Salt Lake City, UT 84116 USA
 Phone: 1-973-305-0444
 support@westwoodbaby.com