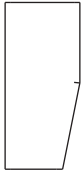


Assembly Instructions

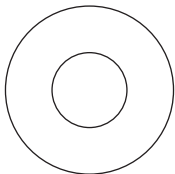
Jonesport Chest

A. Unpack all the components from the packaging. The feet are located in the drawer.
B. Flip the chest over onto its back and insert the threaded end of the foot into the angled bracket as shown. Add a washer (B), a lock washer (C), then the nut (D), and tighten securely with the wrench. Repeat for the other bolt, then repeat for the other 3 feet.

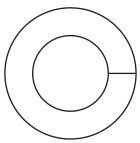
A 4 x Foot



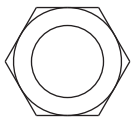
B 8 x Metal Washer



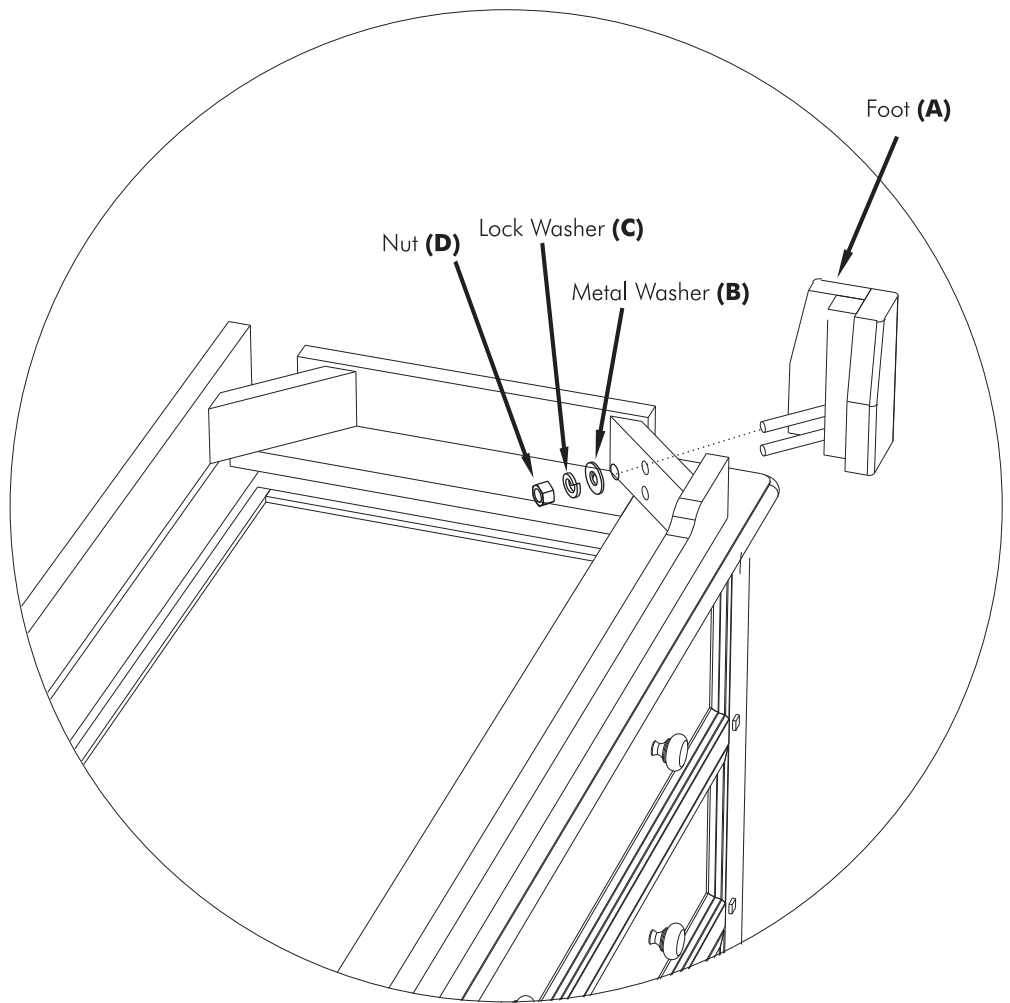
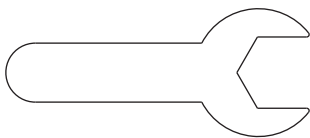
C 8 x Lock Washer



D 8 x Nut



E Wrench



W

WESTWOOD DESIGN

635 N. Billy Mitchell Rd., Ste. B

Salt Lake City, UT 84116

Phone: 1-908-719-4707

support@westwoodbaby.com

February 25, 2008