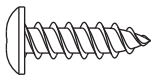


Assembly Instructions

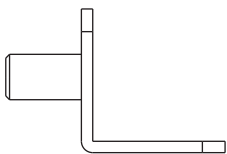
Dylan Combo Hutch

- A.** The hutch can be configured as either a hutch above the dressing combo, or a standalone bookcase. To use as a hutch, lower it onto its back, and remove the 4 allen bolts attaching the base to the hutch.
- B.** If you are using a changing pad, secure it to the combo using the straps as instructed by the pad manufacturer. Center the hutch on top of the combo, then screw the wood screws (A) through the holes on the mounting plates and into the combo.
- C.** Stick the felt pads (C) onto the shelf tabs (B) and insert the shelf tabs into the desired holes, then carefully lower the shelves onto the tabs. If desired, you can screw 1/2" wood screws (not included) through the holes in the bottom of the shelf tabs into the bottom of the shelf to prevent the shelf from being accidentally removed. If you are using the hutch with a changing pad, remove the lower shelf and save it for later use.

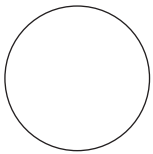
A 10 x Wood Screw



B 8 x Shelf Tab



C 8 x Felt Pad



D Allen Wrench

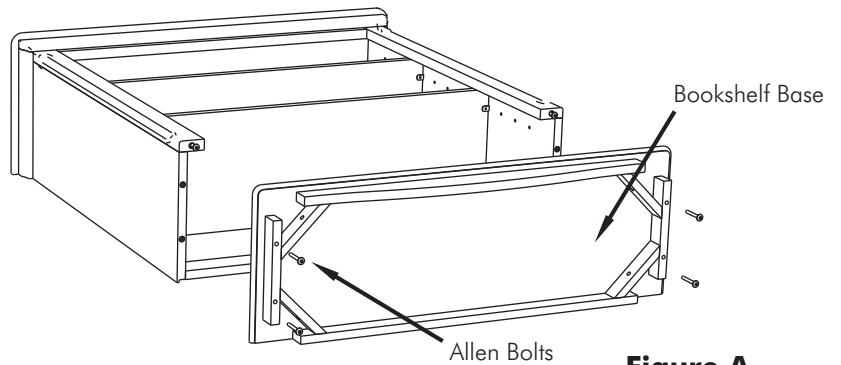


Figure A

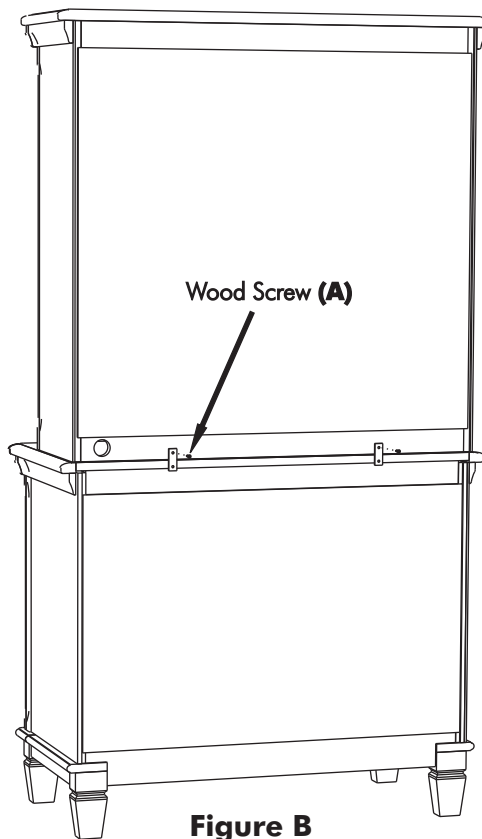


Figure B

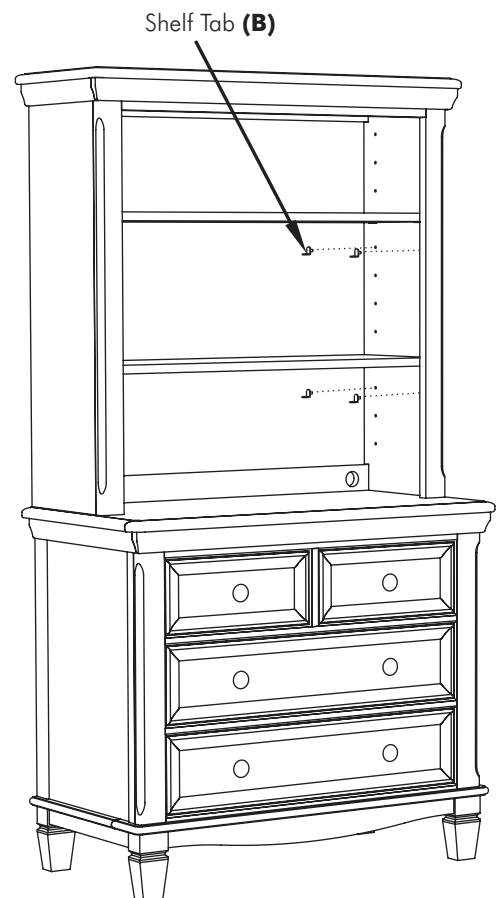
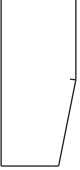
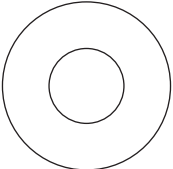
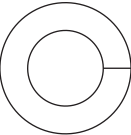
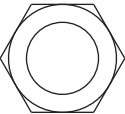
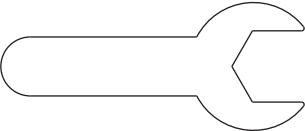


Figure C

Bookcase Conversion

- A.** Detach the hutch from the combo and locate the bookcase base, feet and hardware you saved when you unpacked it. (You *did* keep that stuff, didn't you? If not, give us a call.)
- B.** Flip the base over and insert the threaded end of the foot into the angled bracket as shown. Add a washer (F), a lock washer (G), then the nut (H), and tighten securely with the wrench. Repeat for the other 3 feet.
- C.** Lower the hutch onto its back, and insert the 4 allen bolts attaching the base to the hutch. Tighten using the allen wrench (D).

E	4 x Foot	
F	4 x Metal Washer	
G	4 x Lock Washer	
H	4 x Nut	
I	Wrench	

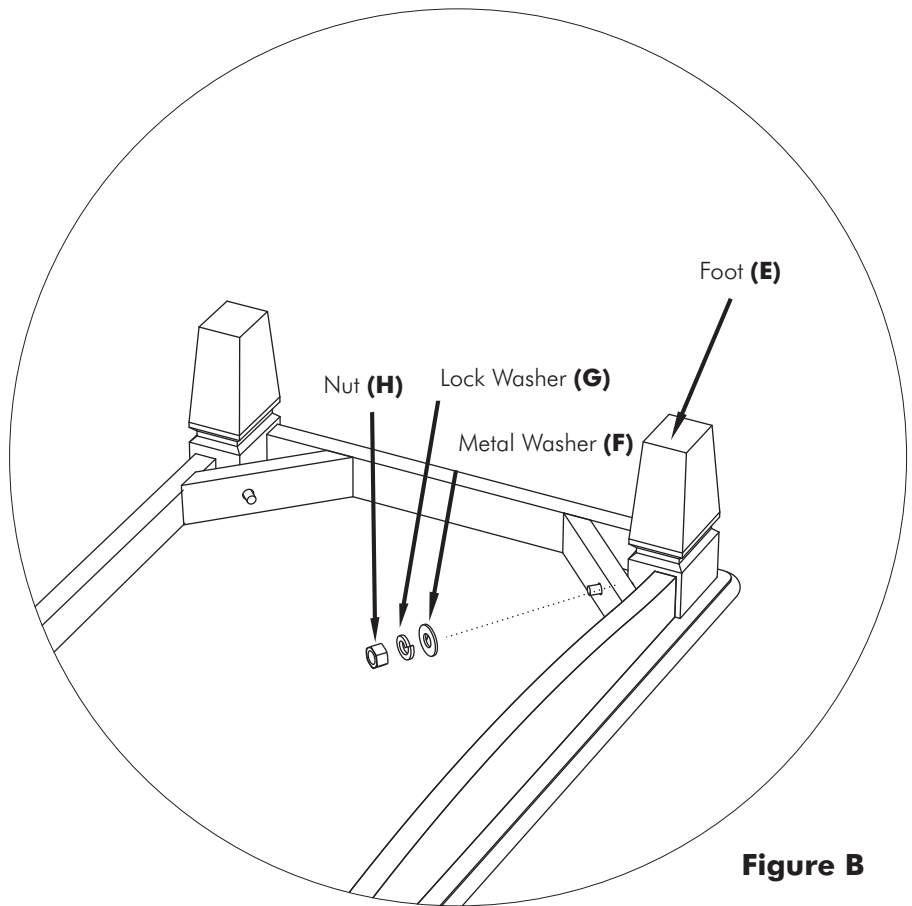


Figure B

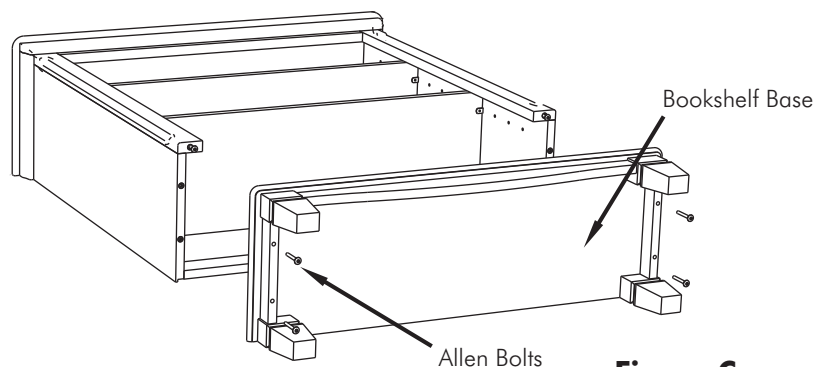


Figure C

 Bedford Baby

635 N. Billy Mitchell Rd., Ste. B
Salt Lake City, UT 84116 USA
Phone: 1-973-305-0444
support@westwoodbaby.com