

# Assembly Instructions Dylan Chest

**A.** Unpack all the components from the packaging. The feet are located in the drawer.

**B.** Flip the chest over onto its back and insert the threaded end of the foot into the angled bracket as shown. Add a washer (B), a lock washer (C), then the nut (D), and tighten securely with the wrench. Repeat for the other 3 feet.

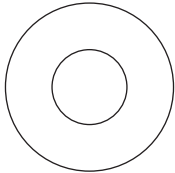
**A** 2 x Foot  
Left Front / Right Rear



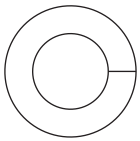
**B** 2 x Foot  
Right Front / Left Rear



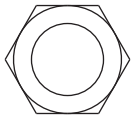
**C** 4 x Metal Washer



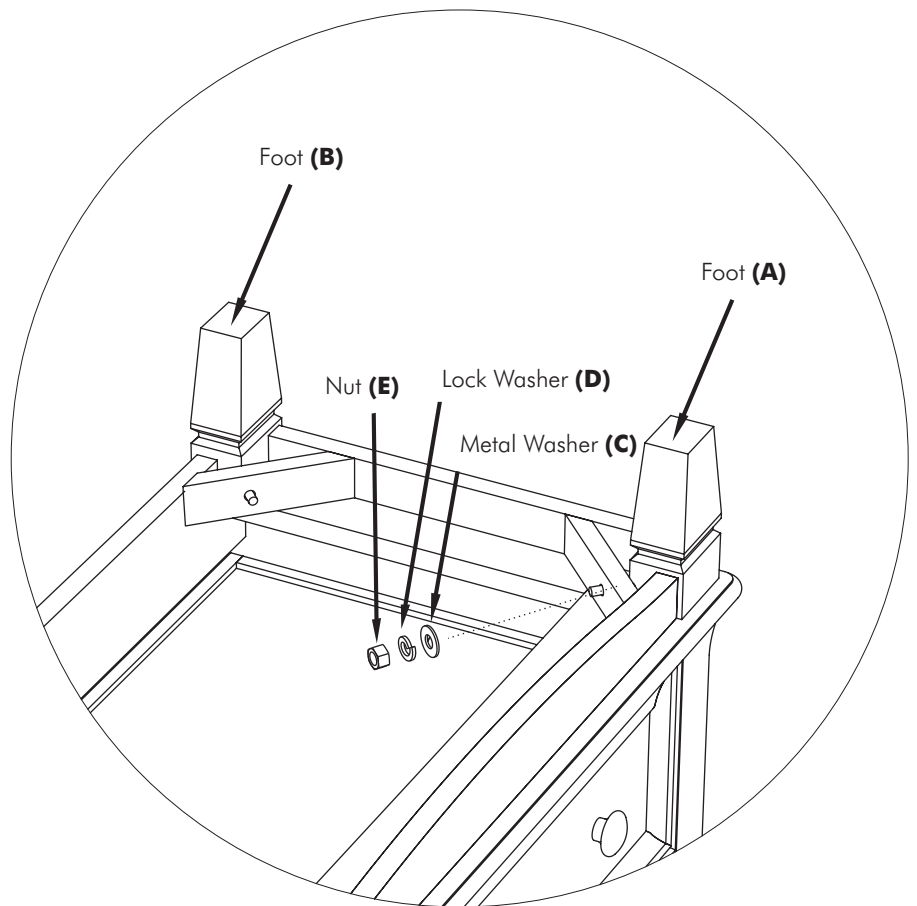
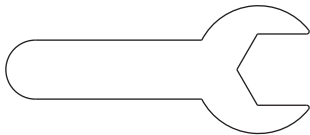
**D** 4 x Lock Washer



**E** 4 x Nut



**F** Wrench



*B* Bedford Baby

635 N. Billy Mitchell Rd., Ste. B  
Salt Lake City, UT 84116 USA  
Phone: 1-973-305-0444  
support@westwoodbaby.com

March 9, 2009